

4

3

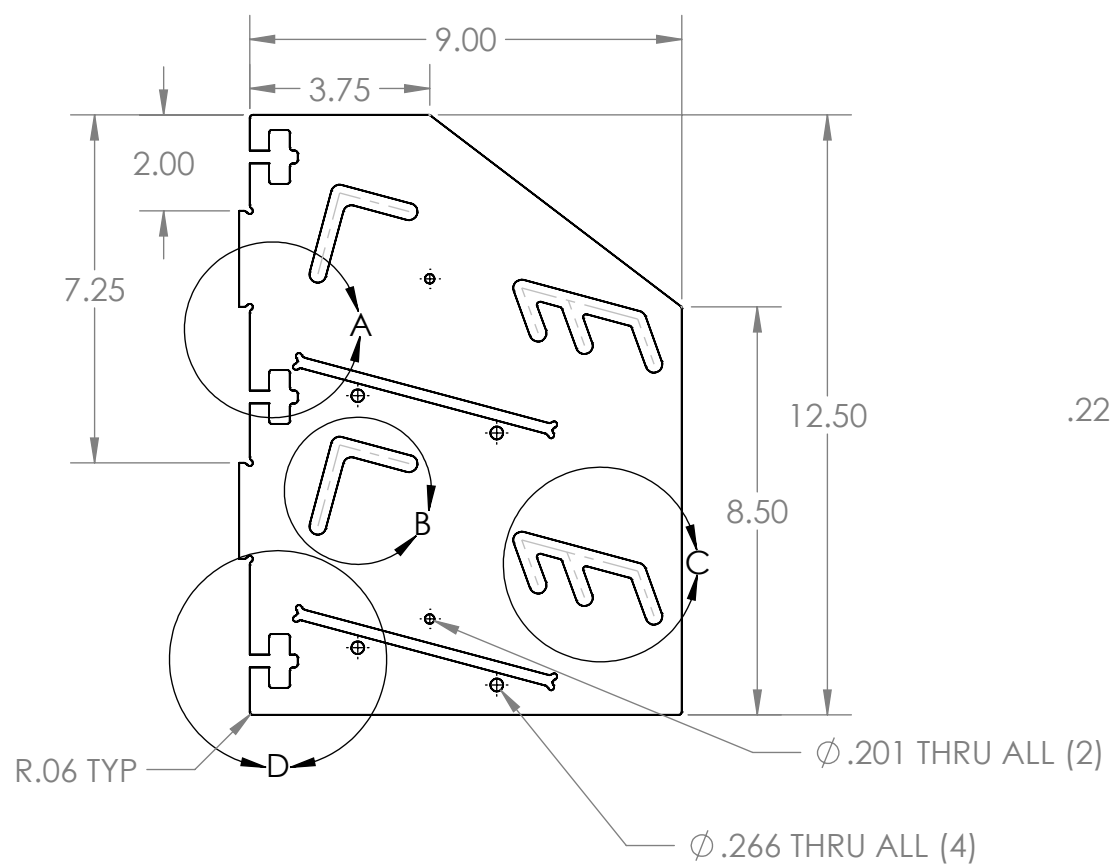
2

1

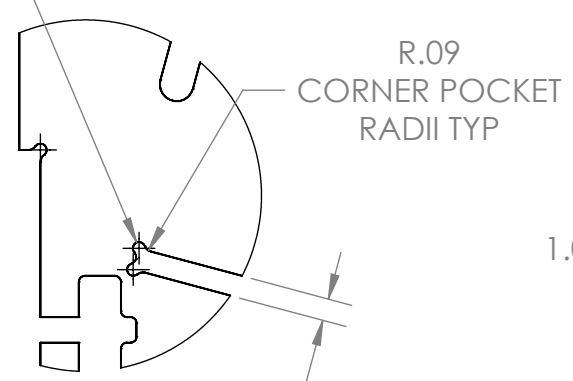
REVISION HISTORY			
REV.	DESCRIPTION	DATE	DRAWN BY
1	ORIGINAL PRINT	9/4/2025	P. YEUNG

B

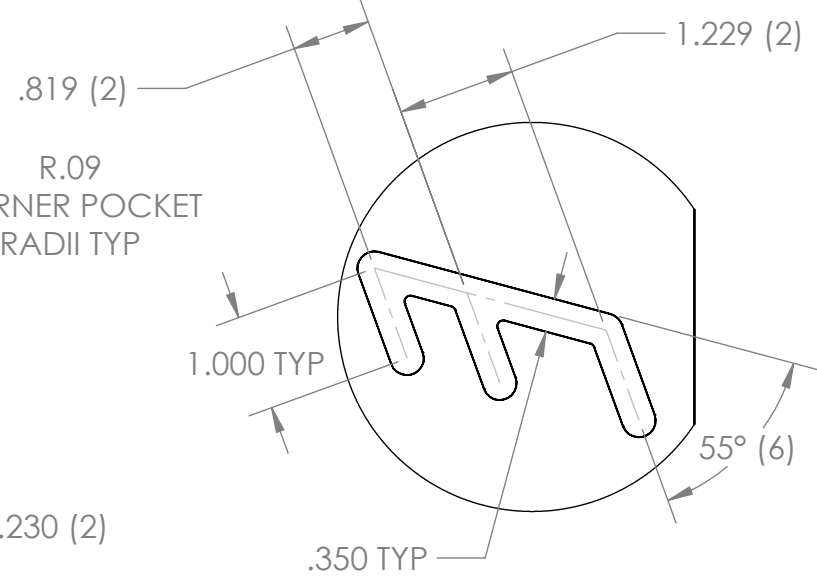
B



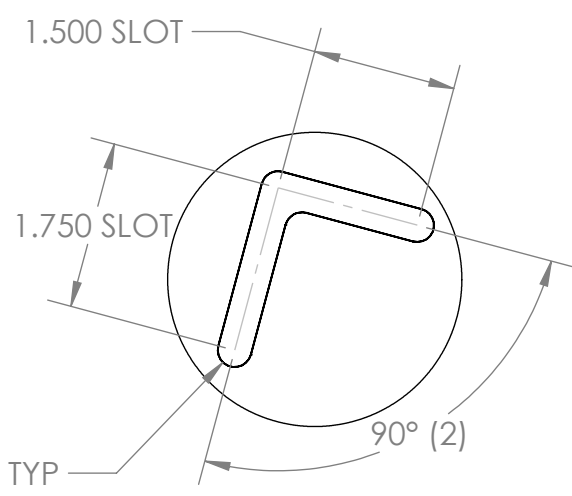
Ø.13 THRU ALL TYP



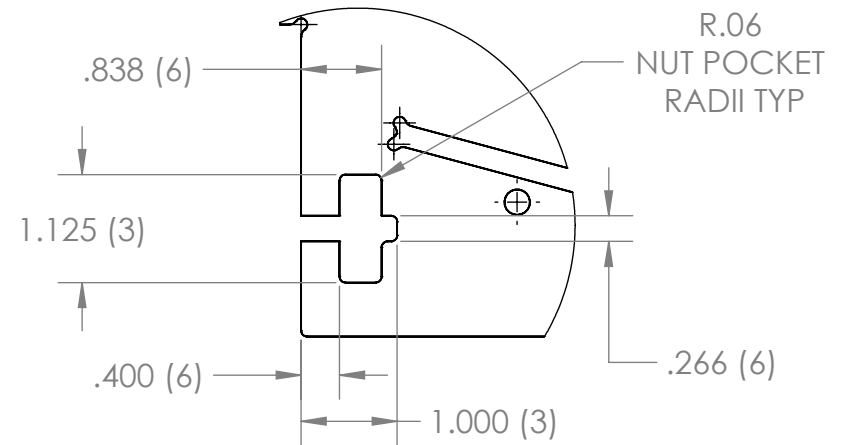
DETAIL A SCALE 1 : 2



DETAIL C SCALE 1 : 2



DETAIL B SCALE 1 : 2

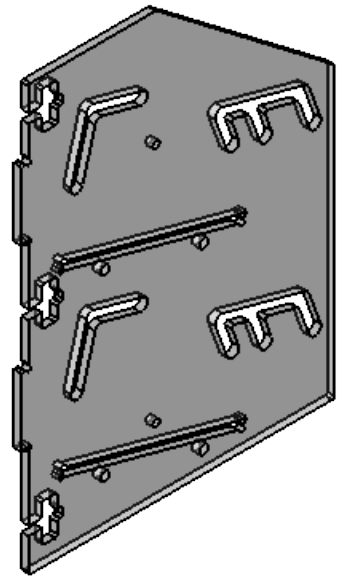


DETAIL D SCALE 1 : 2

*** SEE CAD FOR ADDITIONAL TOOLPATH INFO***

A

A



UNLESS OTHERWISE SPECIFIED:		COMMENTS:				
DIMENSIONS ARE IN INCHES		DUAL DIMENSIONS ARE IN MILLIMETERS.				
TOLERANCES:		BREAK ALL SHARP EDGES.		TITLE: EVERYPIT END PLATE		
FRACTIONAL	±1/16	CHECKED	NAME	DATE	SIZE	DWG. NO.
ANGULAR: MACH	±1°	ENG APPR.	NM	9/23/25	B	am-5676_endplate
ANGULAR: BEND	±5°	MFG APPR.			SCALE: 1:4	SHEET 1 OF 1
ONE PLACE DECIMAL	±0.1	Q.A.				
TWO PLACE DECIMAL	±0.01					
THREE PLACE DECIMAL	±0.005					
FOUR PLACE DECIMAL	±0.0005					
MATERIAL	CLEAR PC rm-0031a					
FINISH	DEBURRED					
DO NOT SCALE DRAWING						
				REV	1	

4

3

2

1